



XML-driven Applications Development

For years, applications and vendors have imposed their constraints on the way we can represent our information. Our data has been created, maintained, stored and archived according to the rules enforced by others. The advent of the Extensible Markup Language (XML) moves the control of our information out of the hands of others and into our own by providing two basic facilities.

XML has been embraced enthusiastically by all the major IT suppliers and user groups. Its standardization and rapid uptake have been the major development in IT over the past two years. Industry rivals like IBM, Microsoft, Sun, and Oracle all support the core XML standard, are developing major products based on it, and collaborate to develop related standards.

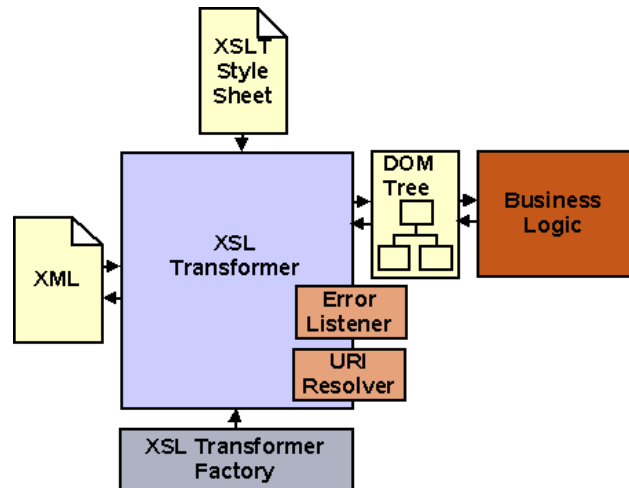
XML is now the world standard platform for e-business transactions. With the help of our XML application developers and project managers, you and your company can achieve amazing results with e-businesses and data control.

Advantages of XML-driven Applications

- XML is for structuring data.
- XML looks a bit like HTML.
- XML is text, but isn't meant to be read.
- XML is verbose by design.
- XML is a family of technologies.
- XML is new, but not that new.
- XML leads HTML to XHTML.
- XML is modular.
- XML is the basis for RDF and the Semantic Web.
- XML is license-free, platform-independent and well-supported.

We offer:

- Application Development with any XML-based model (like VoiceXML, XBRL, and others).
- Design of new XML-based models.
- XML integration and migration.



Contact us to receive advising.

sales@2agsoft.com

2AG Software Factory is a business unit of Neurowork™



» Know our solutions

www.2AGSoft.com

» Contact us

sales@2agsoft.com

For more information about us and our solutions, please contact us.

Web www.2AGSoft.com

E-mail contact@2agsoft.com

P. Madrid **+34 91 511 22 13**

P. Buenos Aires **+54 11 4826 2960**

P. Sete Lagoas **+55 31 8822 2496**

Neurowork in the world

Europe Regional Office

Avenida de la Peseta, 108, 5º D

28054 Madrid

Spain

P: +34 91 511 22 13

madrid@neurowork.net

America Regional Office

Guise 1944 1º B

CF3993JK Buenos Aires

Argentina

P/F: +54 11 4826-2960 / +54 3722 46-2885

bsas@neurowork.net

Brazil Regional Office

Praça Dom Carmelo Mota, 35

35700-074 Sete Lagoas

Brzsil

P: +55 31 8822 2496

setelagoas@neurowork.net



About Neurowork. Neurowork is a international company focused in last technologies. Through of several business units, Neurowork tries to facilitate integral and vertical access to technologies for companies of all sizes. Neurowork have locations in several points of the world for a more personalized customer support.

© 2008 Neurowork. All Rights Reserved.